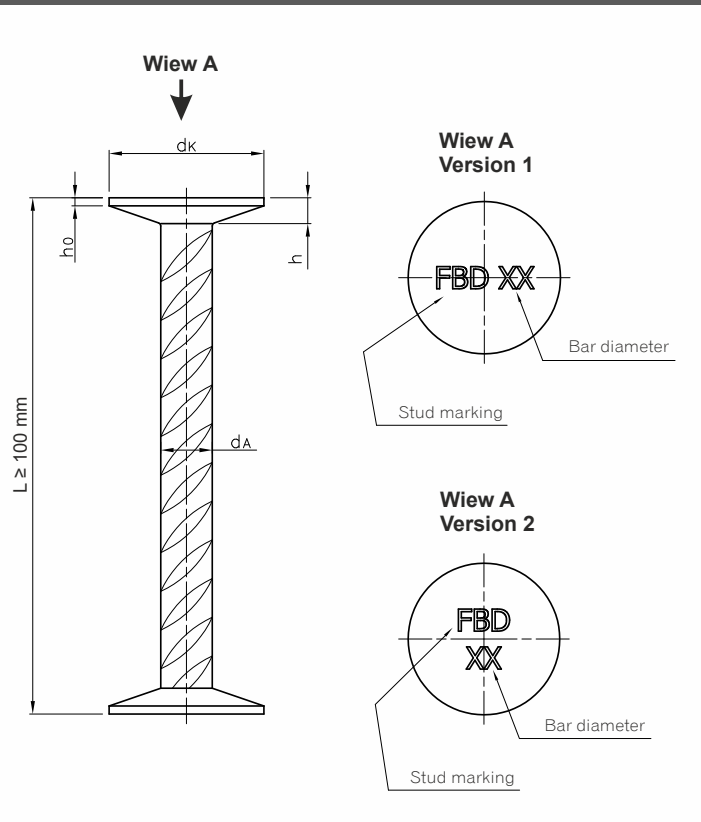
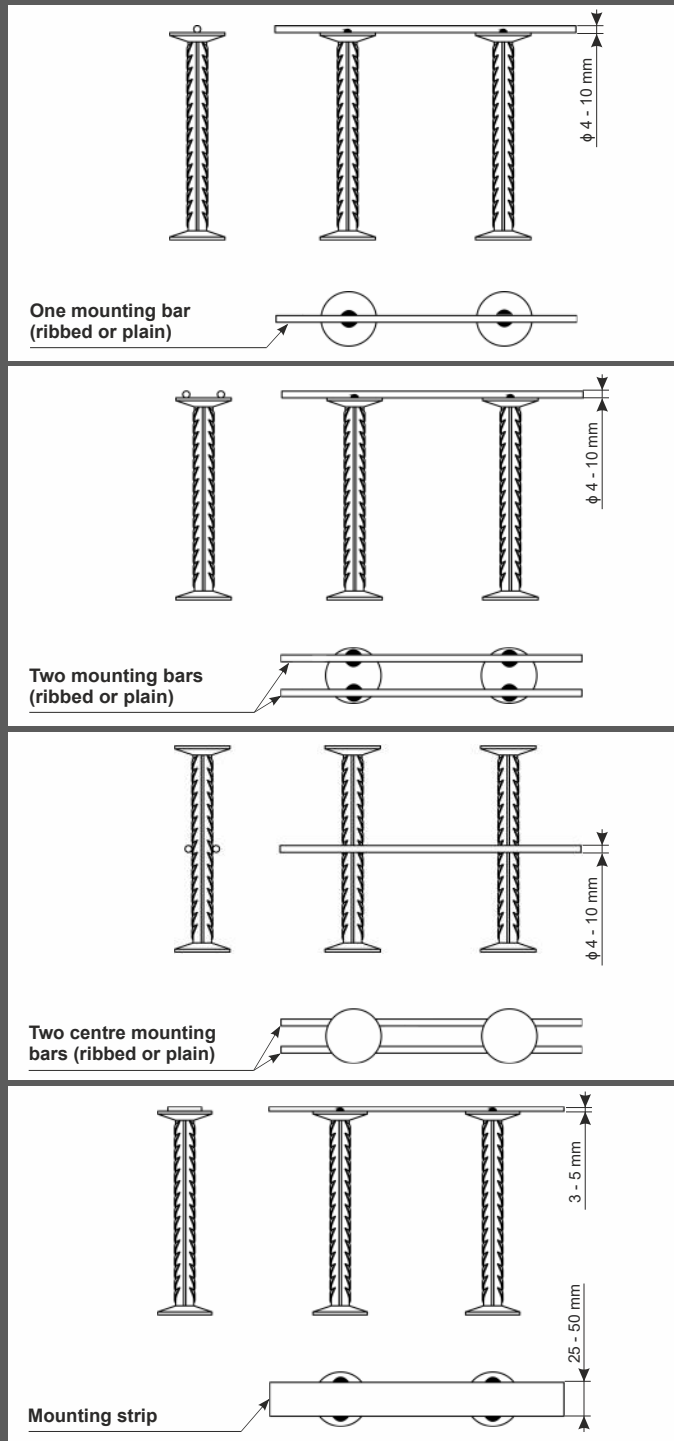


PRODUCT IDENTIFICATION & SIZES



CONFIGURATIONS



No.	Bar diameter d_A [mm]	Head diameter $d_k=3d_A$ [mm]	Head height [mm]	
			h	h_0
1	10	30	5	2
2	12	36	6	2,5
3	14	42	7	3
4	16	48	8	3
5	18	54	8,5	3
6	20	60	10	3
7	22	66	11	3
8	25	75	12	3,5
9	28	84	16	4
10	32	96	17	4,5



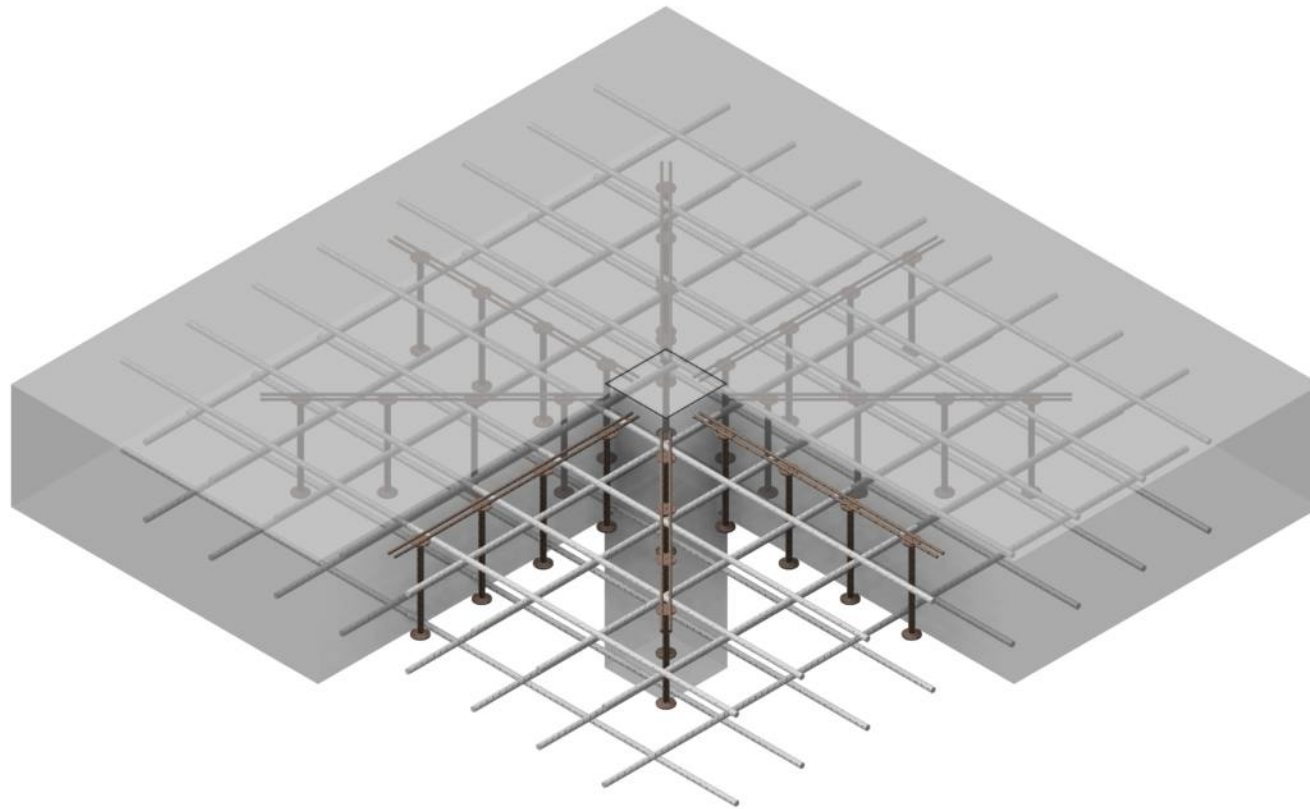
FBD PUNCHING SHEAR REINFORCEMENT

Export department
+48 885 552 672
export@forbuild.eu

FORBUILD SA
ul. Górna 2a
26-200 Końskie

■ www.forbuild.eu

PRODUCT DESCRIPTION AND CHARACTERISTICS



PRODUCT DESCRIPTION

Forbuild has introduced to its range a product used to increase the load bearing capacity of flat floors and concrete sections at risk of cracking.

FBD punching shear reinforcement transfers shear forces in reinforced concrete floor slabs and in slabs and footings at point supports to increase the punching shear strength.

FBD punching shear reinforcement consists of steel studs with disc-shaped heads at both ends, which are connected by one or two bars or flat bars (mounting strips). FBD studs are made of ribbed bars with a ductility class B or C according to Eurocode 2. The characteristic yield point $f_{yk} \geq 500$ MPa, and the characteristic tensile strength is $f_{tk} \geq 550$ MPa. The mounting bars have a diameter of $\phi 4 - 10$ mm and are made of plain or ribbed steel.

Parameter	Performance	Assessment method
Yield point R_e	≥ 500 MPa	PN-EN ISO 6892-1:2016
Tensile strength R_m	≥ 550 MPa	
R_m/R_e ratio	$\leq 1,05$	
Total elongation at maximum tensile force A_{gt}	$\geq 2,5$ %	

